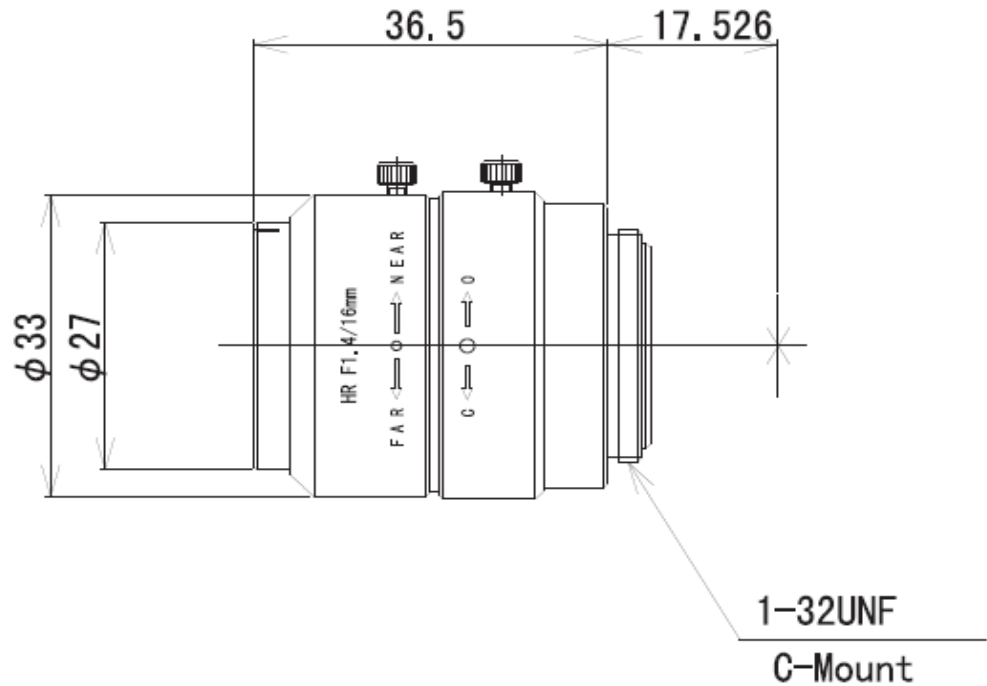




LM16JCM



| | |
|-----------------------------|---------------------|
| Model | LM16JCM |
| Focal Length (mm) | 16 |
| Image Size (mm) | 2/3" (Ø11) |
| Iris Range (F-Stop) | F1.4~F16 |
| Focusing Range (m) | 0.2~∞ |
| Shooting Range at M.O.D. | 112.8 (H) X 84.4(V) |
| Angle of View 2/3" | 30.0X22.7 |
| 1/2" | 21.8X16.4 |
| (degrees) 1/3" | 16.4X12.3 |
| Resolution (Center, Corner) | 120lp/mm, 100lp/mm |
| Distortion (TV) | -0.05% |
| Flange Back in Air (mm) | 17.526 |
| Back Focus in Air (mm) | 13.1 |
| Front/Rear Effective Dia. | Ø20.2mm Ø15.5mm |
| Mount | C-Mount |
| Exit Pupil (mm) | 340 |
| Filter Size (mm) | M25.5XP0.5 |
| Size (mm) | Ø33X36.5 |
| Weight (g) | 81 |
| Temperature Range | -10°C ~ 45°C |